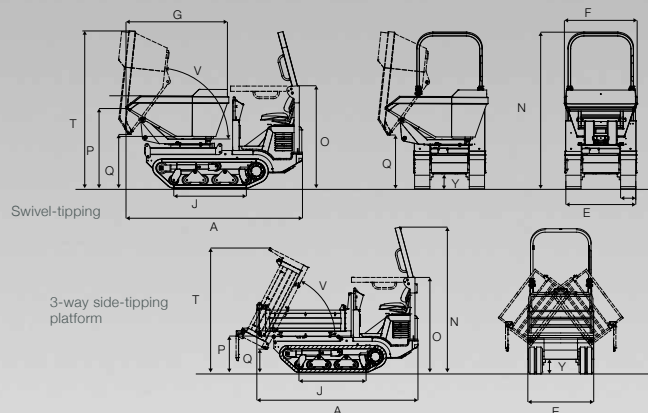




DT15 - maximum working power.

The versatile DT15, with its fully hydrostatic drive, standard auxiliary hydraulics, and fully integrated and collapsible ROPS rollbar, is the ideal transporter on all surfaces - gravel, sand, boggy or hilly terrain. The auxiliary hydraulics allow fast connection of equipment such as breakers or cement mixers.



Australian delivery model may vary from illustrated machine.

TECHNICAL DATA

	DT15 3-way Side Tip	DT15 Swivel Tip
A Length (without running board)	2640 mm	2674 mm
E Undercarriage width	1060 mm	1060 mm
F Skip width	1080 mm	1102 mm
G Skip length	1550 mm	1537 mm
I Track width	230 mm	230 mm
J Track length	1100 mm	1100 mm
N Height over ROPS rollbar	2372 mm	2372 mm
O Height over ROPS rollbar (collapsed)	1552 mm	1552 mm
P Height of skip front edge	596 mm	1205 mm
Q Dumping height	380 mm	810 mm
T Max. height, skip raised	2040 mm	2380 mm
V Skip dumping angle	63 °	84 °
Y Ground clearance	224 mm	224 mm

OPERATIONAL DATA

	DT15 3-way Side Tip	DT15 Swivel Tip
Payload	1500 kg	1000 kg
Operating weight	1105 kg	1415 kg
Transport weight	1085 kg	1320 kg
Skip capacity (levelled/stacked/ water-levelled)	52 l / 69 l / -	76 l / 63.2 l / 37.5 l
Engine Make/type	Kubota D-902	Kubota D-902
	Liquid cooled 3-cyl diesel engine	
Engine output (ISO 3046/1)	15.2 kW (20.3 Hp)	15.2 kW (20.3 Hp)
Displacement	898 cm ³	898 cm ³
Operating speed	3200 rpm	3200 rpm
Battery	12 V/60 Ah	12 V/60 Ah
Fuel tank capacity	24 l	24 l
Hydraulic Drive pump	Variable pump x 2	Variable pump x 2
Flow rate	2 x 28 l/min	2 x 28 l/min
Drive hydraulics Max. pressure	270 bar	270 bar
Hydraulic Work pump(s)	Gear pump x 1	Gear pump x 1
Flow rate	20 l/min	20 l/min
Work hydraulics Max. pressure	170 bar	170 bar
Hydraulic oil capacity	25 l	25 l
Travel speed	7.5 kph	7.5 kph
Gradeability	62 %	62 %
Ground pressure empty/loaded (kg/cm ²)	0.2/0.47	0.22/0.49