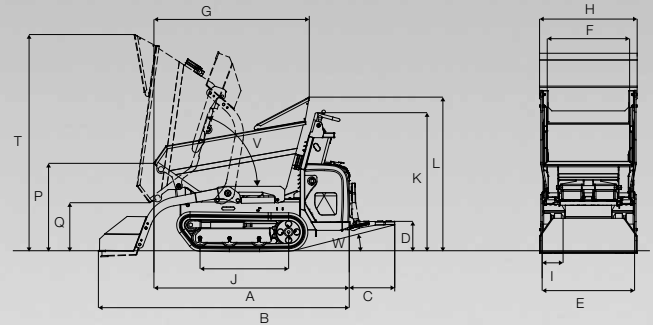


# DT08 ProLine DT12

## Mini Track Dumpers

The DT08 ProLine and DT12 Mini Track Dumpers from Wacker Neuson can be manoeuvred over any surface thanks to their compact dimensions. Powerful diesel engines, coupled with high ground clearance and cooling systems specifically designed to suit the machines, make them the perfect choice for durability and low wear and tear. The self-loading assembly simplifies manual loading.



Australian delivery model may vary from illustrated machine.

### TECHNICAL DATA

	DT08 ProLine Front Tip (SL)	DT12 Front Tip (SL)
A Length (without running board)	1789 mm	1823 mm
B Length with self-loader (without running board)	2264 mm	2277 mm
C Length of running board	398 mm	393 mm
D Height over running board	250 mm	265 mm
E Undercarriage width	800 mm	790 mm
F Skip width	750 mm	750 mm
G Skip length	1320 mm	1357 mm
H Width with self-loader	830 mm	830 mm
I Track width	180 mm	180 mm
J Track length	769 mm	875 mm
K Height over control console	1275 mm	1303 mm
L Height over skip hand protector	1303 mm	1452 mm
P Height of skip front edge	750 mm	812 mm
Q Dumping height	410 mm	460 mm
T Max. height, skip raised	1840 mm	1950 mm
V Skip dumping angle	72°	70°
W Running board retraction angle	12°	14°
X Control console width	446 mm	446 mm
Y Ground clearance	100 mm	110 mm

### OPERATIONAL DATA

	DT08 ProLine Front Tip (SL)	DT12 Front Tip (SL)
Payload	800 kg	1200 kg
Operating weight	655 kg	705 kg
Transport weight	650 kg	700 kg
Skip capacity (levelled/stacked/water levelled)	334 l / 387 l / 166 l	393 l / 446 l / 173 l
Self-loading system volume/load capacity	0.065 m <sup>3</sup> /110 kg	0.065 m <sup>3</sup> /110 kg
Engine Make/type	Kubota Z-482	Kubota Z-602 E
	Liquid cooled 2-cyl diesel engine	
Engine output (ISO 3046/1)	9.6 kW (13 Hp)	10.3 kW (13.8 Hp)
Displacement	479 cm <sup>3</sup>	599 cm <sup>3</sup>
Operating speed	2600 rpm	2600 rpm
Battery	12 V/55 Ah	12 V/55 Ah
Fuel tank capacity	9 l	9.7 l
Hydraulic Drive pump	Variable pump x 2	
Flow rate	28 l/min	2 x 35 l/min
Drive hydraulics Max. pressure	200 bar	200 bar
Hydraulic Work pump(s)	Gear pump x 3	Gear pump x 3
Flow rate	7 l/min	28 l/min
Work hydraulics Max. pressure	150 bar	165 bar
Hydraulic oil capacity	22 l	25.4 l
Travel speed	0-4.2 kph	0-4 kph
Gradeability	30 %	62 %
Ground pressure empty/loaded (kg/cm <sup>2</sup> )	0.235/0.416	0.223/0.502