



## 901s

Skid Steer Loaders



### 901s – The multi tool.

Both the 901s and the 901sp boast a comprehensive range of standard features: Hydraulic pilot control, 2 speed ranges, ROPS / FOPS Level II cab, parallel bucket guide, load limit sensing control, float position and foot throttle. The 901sp model (p = Powerflow) includes an additional hydraulic control circuit with an output of 137 l/min.

- The high-quality, rigid steel structure is designed for stability and a longer service life
- Generously dimensioned bearings.
- Replaceable steel bushes on all pivot bearing parts.
- PowerRide: The load spring suspension ensures fast and secure material transport over longer distances without loss even on rough terrain.
- The skid steer loader as a systems platform: More operational flexibility, fast amortization, short service and maintenance times, easy to operate, safe to drive.

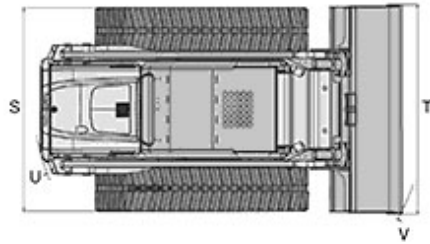
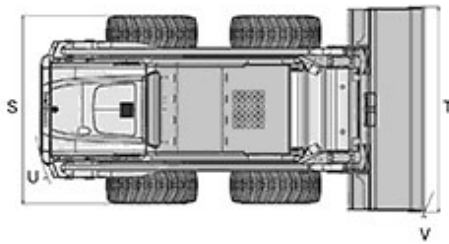
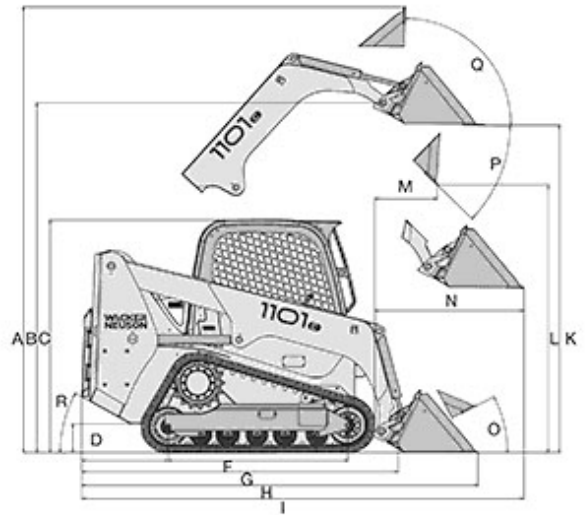
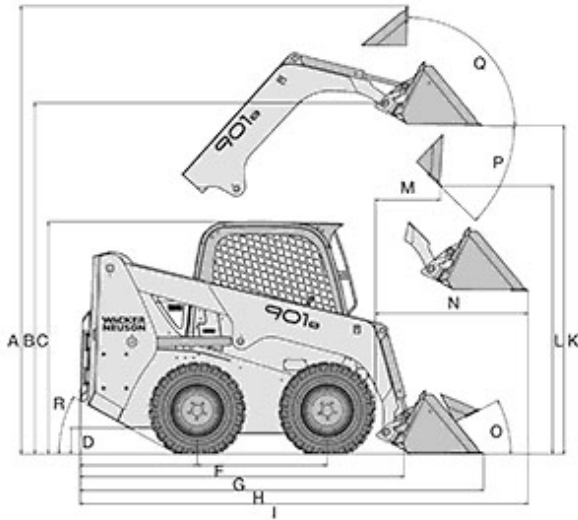


## Technical specifications

	901s	901sp
<b>Operating data</b>		
Operating weight kg	3,400	3,450
Payload kg	907	907
Tipping load kg	1,814	1,814
Bucket capacity level m <sup>3</sup>	0.36	0.36
Bucket capacity heaped m <sup>3</sup>	0.46	0.46
Bucket width mm	1,900	1,900
Height mm	2,055	2,055
Length with bucket mm	3,535	3,535
<b>Engine / Motor</b>		
Engine / Motor manufacturer	Deutz	Deutz
Engine / Motor type	D2011 Turbo EPA 3	D2011 Turbo EPA 3
Engine / Motor	Water-cooled 4-cylinder diesel engine	Water-cooled 4-cylinder diesel engine
Engine performance kW	63	63
Displacement cm <sup>3</sup>	3,619	3,619
RPM / speed Operation rpm	2,500	2,500
Battery Ah	100	100
Tank capacity l	72	72
<b>Hydraulic system</b>		
Operating pressure Work hydraulics bar	210	210
Operating hydraulics - discharge capacity l/min	85	85
Powerflow l/min	0	137
Hydraulic oil tank l	35	35
<b>Power transmission</b>		
Travel speed max. km/h	18	18
Standard tires	12 x 16.5	12 x 16.5
Traction drive	Axial piston motor with reduction gear	Axial piston motor with reduction gear
Service brake	Hydr. parking brake	Hydr. parking brake



**Dimensions**



A	Height Max.	3,935 mm
B	Height to bucket swivel-joint	3,110 mm
C	Transport height Cabin	2,055 mm
D	Ground clearance	240 mm
E	Rear overhang (from rear axle)	1,020 mm
F	Wheelbase	1,150 mm
G	Overall length without attachments	2,860 mm
H	Overall length with standard bucket	3,535 mm
I	Length Max. vehicle	3,925 mm
K	Bucket height in highest position	2,880 mm
L	Dumping height Max.	2,370 mm
M	Range	610 mm
N	Range Max.	1,355 mm



O	Tipping angle on the ground	31 °
P	Tip-out angle	42 °
Q	Tipping angle	86 °
S	Width (with standard tracks w=450 mm)	1,815 mm
T	Bucket width	1,900 mm
U	Turning radius tail	1,640 mm
V	Turning radius front	2,150 mm

**Please note**

that product availability can vary from country to country. It is possible that information / products may not be available in your country. More detailed information on engine power can be found in the operator's manual; the stated power may vary due to specific operating conditions. Subject to alterations and errors excepted. Applicable also to illustrations.  
Copyright © 2014 Wacker Neuson SE.