



PO BOX 54 HAMILTON NSW 2303
140 DENISON STREET CARRINGTON NSW 2294
PH: 02 49615 777 FAX: 02 49696 246
EMAIL: newcastleminicranes@bigpond.com
ABN: 23 466 091 441

KOBELCO RK-70



Specifications

Length: 6950mm
Width: 2080mm
Height: 2760mm
Weight: kg

1. EXTERNAL VIEW

1.1 FIGURE OF TRAVELLING POSTURE

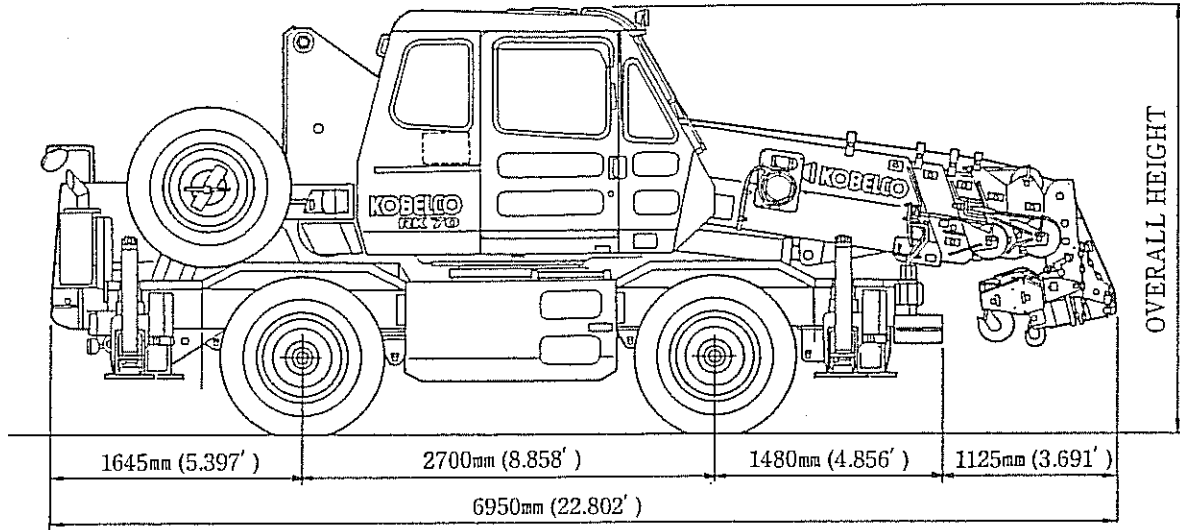


Fig. 1-1

Tire	10.00-20-14PR	275/80R22.5	13/80R20
	10.00R20-14PR		
Overall Height	2760mm (9.055ft)	2730mm (8.957ft)	2745mm (9.006ft)
Tread	1680mm (5.512ft)	1700mm (5.577ft)	1730mm (5.679ft)
Overall width	1995mm (6.545ft)	1995mm (6.545ft)	2080mm (6.824ft)

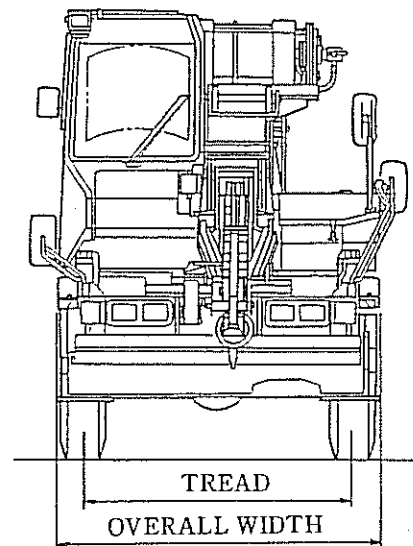


Fig. 1-2

1.2 FIGURE OF WORKING POSTURE

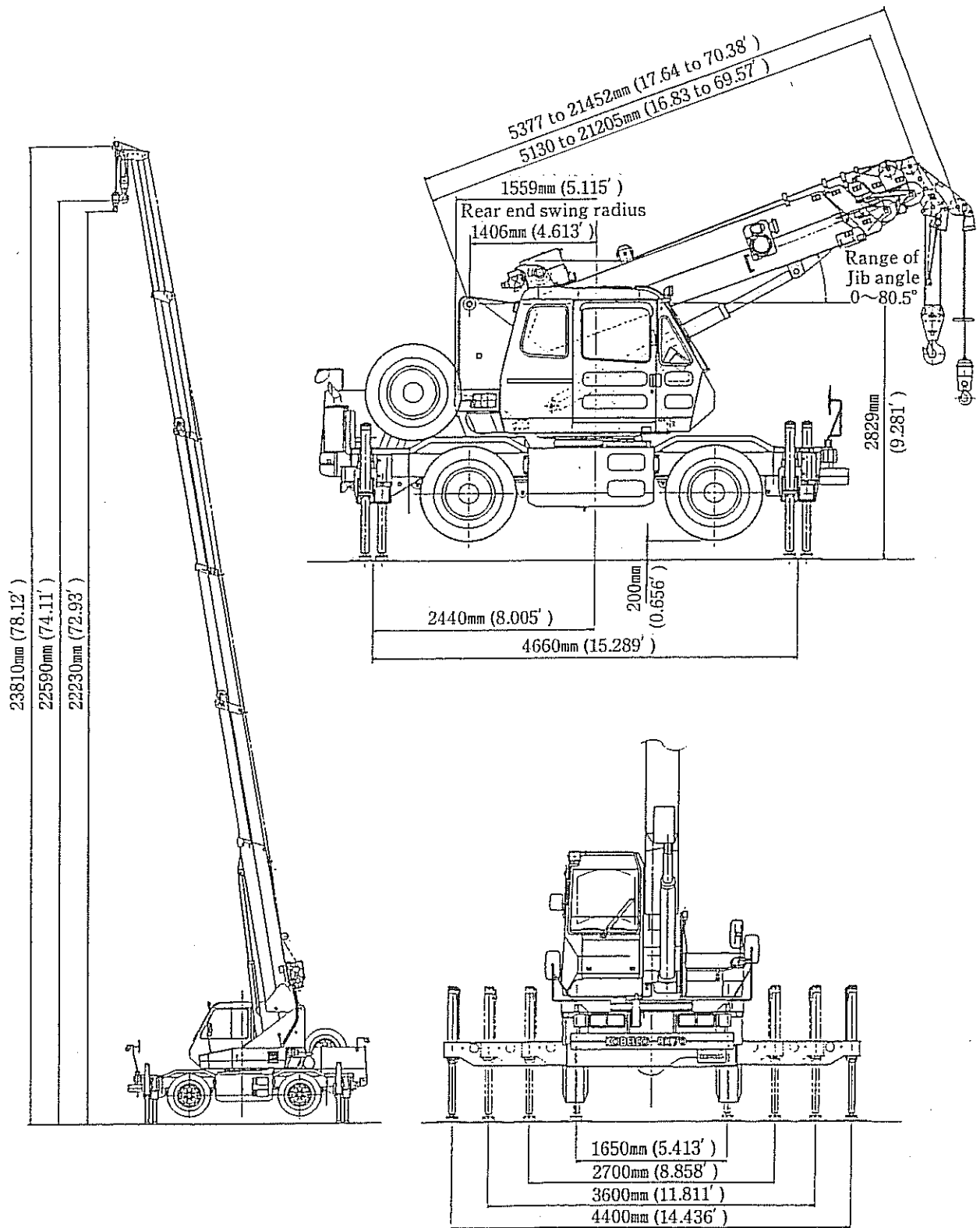
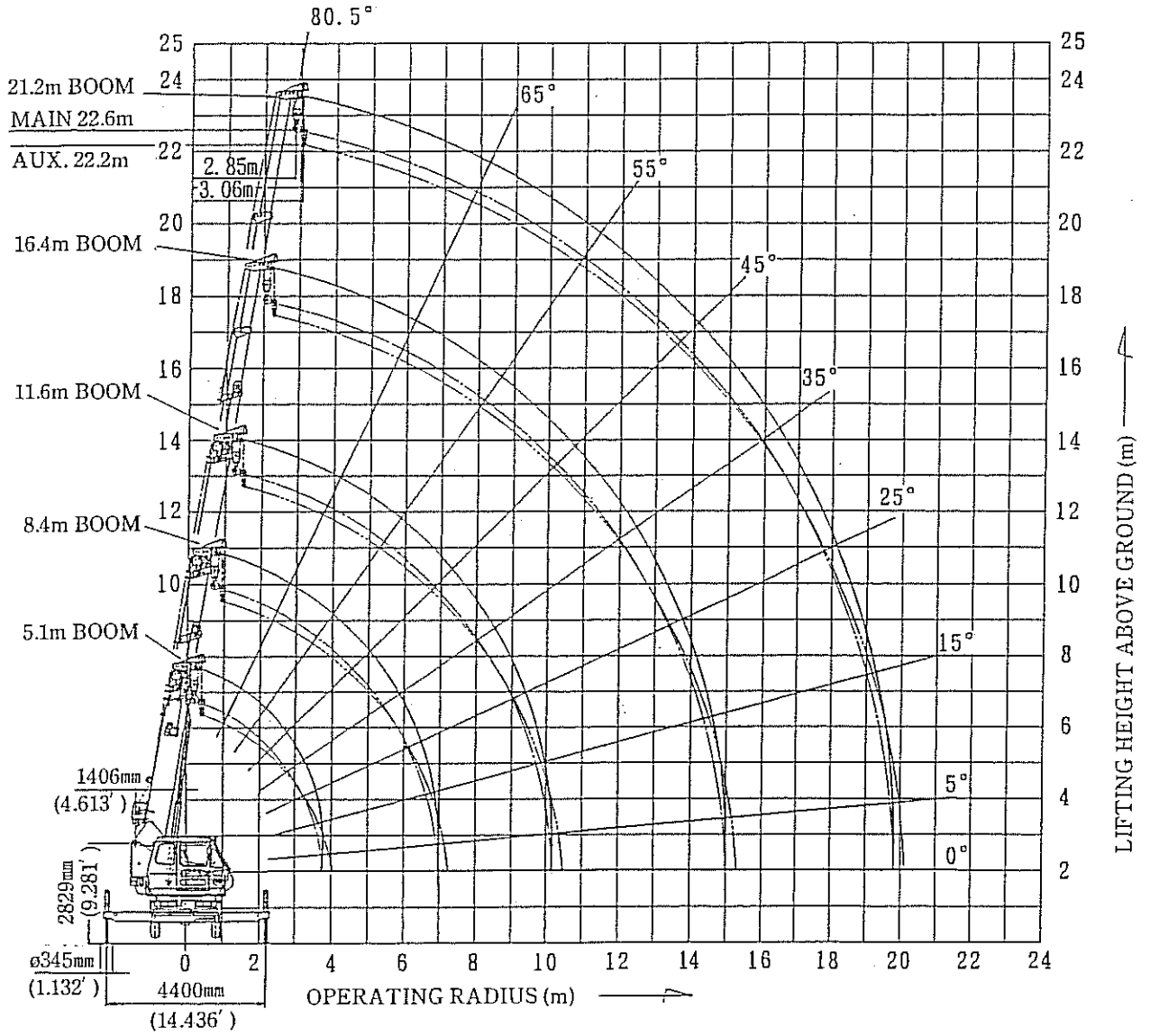


Fig. 1-3

6. WORKING RANGE DIAGRAM



(2) RATED CAPACITY CHART WITH USE OF OUTRIGGERS

Operating Radius (m)	Outriggers fully extended (all around)			Outriggers extended to mid-point (3.6m) (over side)			Outriggers extended to mid-point (2.7m) (over side)			Outriggers minimum extended (over side)			Operating Radius (m)				
	boom	boom	boom	boom	boom	boom	boom	boom	boom	boom	boom	boom		boom			
1.0	7.00	4.90		7.00	4.90		7.00	4.90		7.00	4.90		1.0				
1.5	7.00	4.90	4.90	7.00	4.90	4.90	7.00	4.90	4.90	7.00	4.90	4.90	1.5				
2.0	7.00	4.90	4.90	7.00	4.90	4.90	7.00	4.90	4.90	7.00	4.90	4.90	2.0				
2.5	7.00	4.90	4.90	7.00	4.90	4.90	7.00	4.90	4.90	7.00	4.90	4.90	2.5				
3.0	5.10	4.90	4.90	5.10	4.90	4.90	5.10	4.90	4.90	5.10	4.90	4.90	3.0				
3.5	5.30	4.90	4.90	5.30	4.90	4.90	5.30	4.90	4.90	5.30	4.90	4.90	3.5				
4.0	4.90	4.50	3.60	4.90	4.50	3.60	4.90	4.50	3.60	4.90	4.50	3.60	4.0				
4.5	(3.7m)	3.85	3.37	3.70	3.85	3.37	3.70	3.85	3.37	3.70	3.85	3.37	4.5				
5.0		3.33	3.37	3.05	3.33	3.37	3.05	3.33	3.37	3.05	3.33	3.37	5.0				
5.5		2.95	2.97	2.82	2.85	2.97	2.82	2.85	2.97	2.82	2.85	2.97	5.5				
6.0		2.62	2.65	2.56	2.46	2.52	2.56	2.46	2.52	2.56	2.46	2.52	6.0				
7.0		2.15	2.14	2.15	1.89	1.87	2.03	1.50	1.89	1.87	2.03	1.50	7.0				
8.0		(6.9m)	1.70	1.84	1.40	1.57	1.33		1.40	1.57	1.33		8.0				
9.0			1.40	1.60	1.23	1.02	1.18		1.40	1.57	1.33		9.0				
10.0			1.20	1.40	1.09	0.78	0.96	1.04	0.78	0.96	1.04	1.04	10.0				
11.0			1.16	1.20	0.98	0.76	0.75	0.91	0.76	0.75	0.91	0.91	11.0				
12.0			(10.2m)			(10.2m)			(10.2m)				12.0				
13.0				1.02	0.89	0.57	0.78		0.57	0.78	0.78	0.35	13.0				
14.0				0.85	0.82	0.44	0.65		0.44	0.65	0.65	0.26	14.0				
15.0				0.69	0.75	0.34	0.53		0.34	0.53	0.53	0.17	15.0				
16.0				0.55	0.69	0.27	0.42		0.27	0.42	0.42		16.0				
17.0					0.59		0.33			0.33	0.33		17.0				
18.0					0.51		0.26			0.26	0.26		18.0				
19.0					0.43		0.19			0.19	0.19		19.0				
20.0					0.36		0.13			0.13	0.13		20.0				
21.0					0.35		(19.8m)			0.35	0.35		21.0				
Dangerous angle								17°				35°	45°	47°	57°	59°	Dangerous angle