



PO BOX 54 HAMILTON NSW 2303  
140 DENISON STREET CARRINGTON NSW 2294  
PH: 02 49615 777 FAX: 02 49696 246  
EMAIL: [newcastleminicranes@bigpond.com](mailto:newcastleminicranes@bigpond.com)  
ABN: 23 466 091 441

## TEREX AT-20

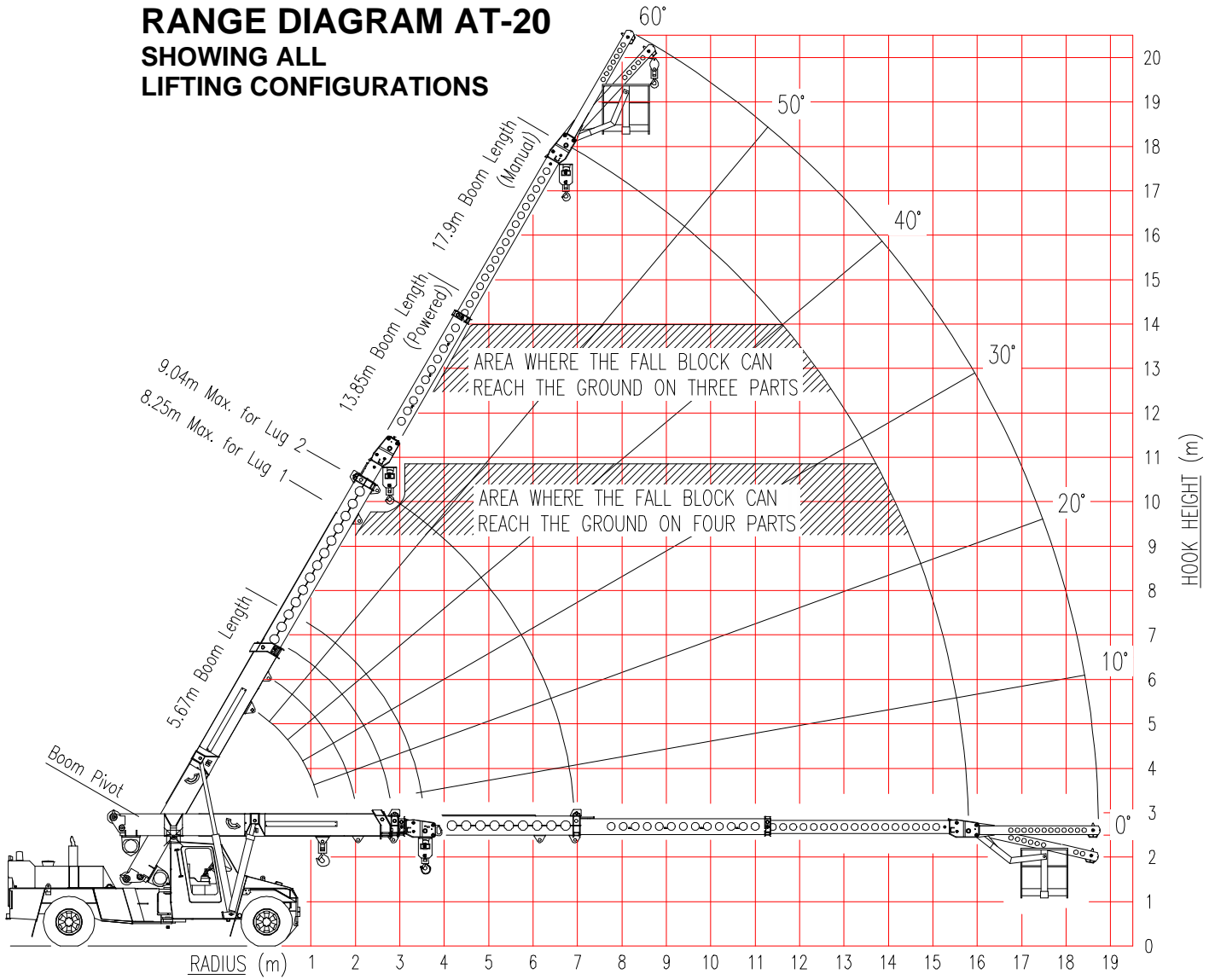
---



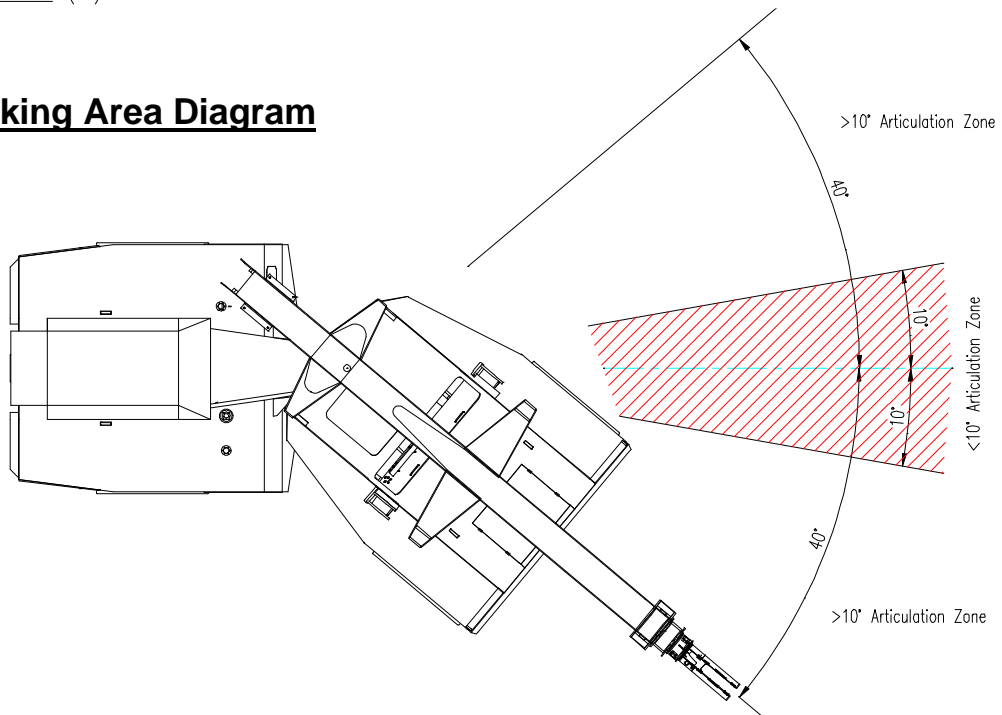
### Specifications

Length: 9670mm  
Width: 2490mm  
Height: 3070mm  
Weight: 19500kg

# RANGE DIAGRAM AT-20 SHOWING ALL LIFTING CONFIGURATIONS



## Working Area Diagram



	SWL (KG) LESS THAN 10 DEG ARTICULATION
	SWL (KG) GREATER THAN 10 DEG ARTICULATION
	BOOM ANGLE OR (RADIUS AT 0 DEG BOOM ANGLE)

Weight of slings & hook block to be added to load  
Read and understand warning notes before operating crane  
Loads above bold red line are structural

RADIUS	BOOM LENGTH (m)																	
	5.67	6.00	6.50	7.00	7.50	8.00	8.50	9.00	9.50	10.00	10.50	11.00	11.50	12.00	12.50	13.00	13.50	13.85
1.6	16800	16250	15450	14900														
	12600	12600	12600	12600														
2.0	16800	16800	16500	15700	15100	14700	14350											
	12600	12600	12600	12600	12600	12600	12600											
2.5	13900	13900	13900	13850	13850	13850	13850	13200	13000									
	12150	12150	12100	12100	12100	12100	12100	12050	12050									
3.0	11450	11450	11450	11400	11400	11400	11400	11400	11400	11150	10250							
	9950	9950	9950	9950	9950	9950	9900	9900	9900	9900	9900							
3.5	9650	9650	9650	9650	9650	9650	9650	9650	9650	9650	9500	8150	7500					
	8400	8400	8400	8400	8400	8400	8400	8400	8350	8350	8350	8150	7500					
4.0	8200	8550	8350	8350	8350	8350	8350	8350	8300	8300	8300	7600	7000	6700	6450			
	7450	7450	7250	7250	7250	7250	7250	7250	7200	7200	7200	7200	7000	6700	6450			
4.5	(3.57)	(3.90)	7500	7300	7300	7300	7300	7300	7300	7300	7300	7150	6550	6250	6050	5800	5650	
			6500	6350	6350	6350	6350	6350	6300	6300	6300	6300	6300	6300	6250	6050	5800	5650
5.0			(4.40)	19	27	34	38	42	45	48	50	52	54	56	58	59	60	
			6650	6500	6500	6500	6500	6500	6500	6500	6500	6500	6150	5900	5650	5450	5300	5150
6.0				(4.90)	18	27	33	37	41	44	47	49	51	53	55	56	58	59
				5950	5350	5250	5250	5250	5250	5250	5250	5250	5250	5250	5250	5050	4850	4700
7.0					5100	4600	4550	4550	4550	4500	4500	4500	4500	4500	4500	4500	4500	4500
					(5.40)	(5.90)	17	25	31	35	39	42	45	47	49	51	53	54
8.0							4850	4450	4400	4400	4400	4400	4400	4400	4350	4350	4200	3950
							4200	3800	3750	3750	3750	3750	3750	3750	3750	3750	3750	3750
9.0							(6.40)	(6.90)	16	24	29	34	37	40	43	45	47	48
									4100	3750	3700	3700	3700	3700	3700	3700	3700	3600
10.0									3500	3200	3150	3150	3150	3150	3150	3150	3150	3150
									(7.40)	(7.90)	15	23	28	32	36	38	41	43
11.0											3500	3250	3200	3200	3200	3200	3200	3200
											(8.40)	(8.90)	15	22	27	31	34	36
11.75													3000	2800	2800	2800	2800	2800
													2550	2400	2350	2350	2350	2350
													(9.40)	(9.90)	14	21	26	29
															2650	2500	2450	2450
															2200	2100	2050	2050
															(10.40)	(10.90)	13	18
																	2350	2250
																	1950	1850
																	(11.40)	(11.75)

**LMI Duty**  
**Lifting on WINCH**  
 MANUAL EXTENDED

	SWL (KG) LESS THAN 10 DEG ARTICULATION
	SWL (KG) GREATER THAN 10 DEG ARTICULATION
	BOOM ANGLE

*Weight of slings & hook block to be added to load  
 Read and understand warning notes before operating crane  
 Loads above bold red line are structural*

MANUAL EXT'N	
MAX LENGTH 17.90	
MAX RADIUS	SWL
6.74	2550
	2550
9.31	60
	2250
	2250
11.53	50
	2050
	2050
13.34	40
	1900
	1700
14.67	30
	1800
	1500
15.51	20
	1650
	1350
15.80	10
	1600
	1300
	0

**NOTE :**  
 17.9m Boom length includes Manual 3rd extension.  
 Ratings for Manual extension are structural & based on Boom Angle, not radius. The ratings do not change if the power sections are retracted with the manual extended.